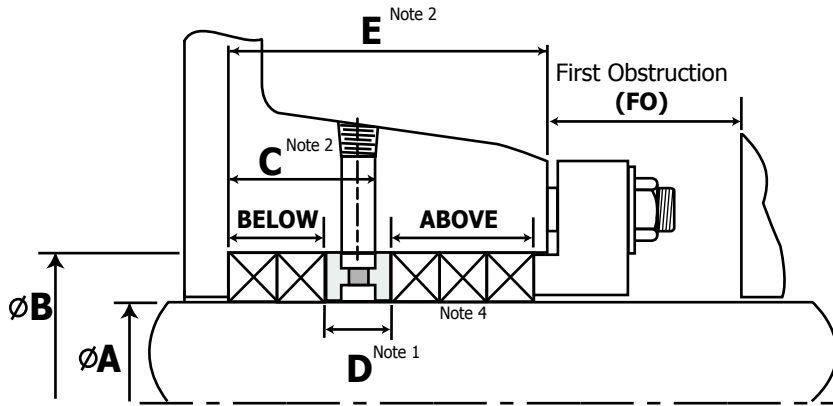


Fig.1

Regular Stuffing Box



**FOR ALL CONFIGURATIONS:**

- Sufficient flush pressure to drive a positive flow into the box is required.
- Enviroseal recommends that a flow meter and check valve be utilized on the flush line.
- Discharge recirculation is not recommended.
- Vertical applications sized the same as horizontal.
- Minimum axial length of SpiralTrac is 1.000".

**NOTES:**

1. Axial length of lantern ring.
2. If there are less than 3 rings of packing **ABOVE**, measurements **C** and **E** must be provided.
3. If lantern ring / throat bushing is at the bottom of stuffing box, as in Fig 3, dimensions **F** and **G** are required.
4. A high quality packing is recommended to sustain a drip rate leakage.

Fig.2

Stuffing Box With Flush Port At Bottom

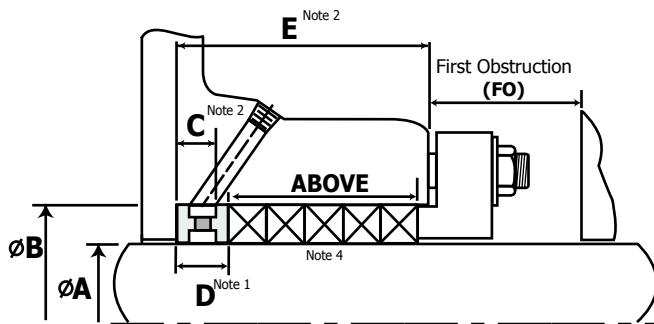
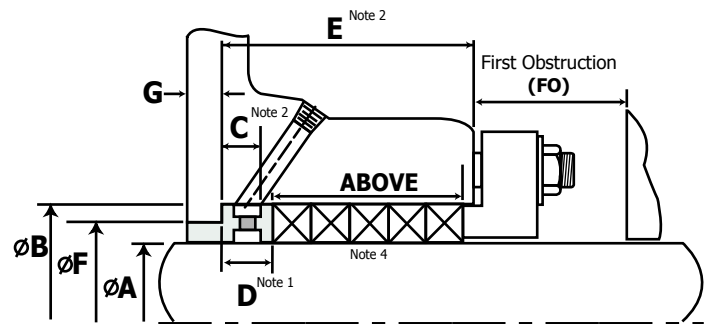


Fig.3

Stuffing Box With Counter Bore <sup>Note 3</sup>



Configuration:  Fig.1  Fig.2  Fig.3 Shaft rotation as viewed from the motor end.  (R) CW  (L) CCW

Units of measurement:  Inch  Metric

ØA(Sleeve OD) = \_\_\_\_\_ ØB(Box ID) = \_\_\_\_\_ C(To edge of flush port) = \_\_\_\_\_ D= \_\_\_\_\_

E(Box Length) = \_\_\_\_\_ F(Counter bore diameter <sup>Note 3</sup>) = \_\_\_\_\_ G(Counter bore length <sup>Note 3</sup>) = \_\_\_\_\_

Rings of packing **BELOW** = \_\_\_\_\_ Rings of packing **ABOVE** = (3 or more <sup>Note 2</sup>) \_\_\_\_\_ **FO** = \_\_\_\_\_

**Material:**

**ESC** (Carbon Graphite PTFE)

**416**

**Split**

**GLF** (Glass Filled PTFE)

**316**

**Solid**

(Note:Radial cross-section must be greater than .500")

**Equipment Information:**

Flush Rate: \_\_\_\_\_  
 Make:  \_\_\_\_\_  
 Model: \_\_\_\_\_  
 Size: \_\_\_\_\_  
 Product: \_\_\_\_\_  
 %Solids: \_\_\_\_\_  
 Temperature: \_\_\_\_\_

**Distributor Information:**

Company: \_\_\_\_\_  
 Specialist: \_\_\_\_\_  
 P.O.#  \_\_\_\_\_ Qty: \_\_\_\_\_  
**Customer Information:**  
 Company: \_\_\_\_\_  
 Customer Name: \_\_\_\_\_  
 Signature: \_\_\_\_\_

**EnviroSeal Use Only:**

Part no: \_\_\_\_\_  
 List Price: \_\_\_\_\_  
 Total Price: \_\_\_\_\_  
 Ship Date: \_\_\_\_\_  
 W.O.#: \_\_\_\_\_

US Patents #5,553,868 #5,167,418  
 Euro. Pat. App. 0 912 848



Tel (902) 861-3464 Fax (902) 861-3522  
 Website <http://www.enviroseal.ca>

The information contained in this bulletin is accurate at time of print. The purchaser is responsible for ensuring the dimensions, quantity and applications suitability meet end-user requirements. Most products are manufactured to order; therefore, EnviroSeal Engineering Products Ltd. retains the right to individually authorize returns based upon the potential for resale of the products within a reasonable period of time.